

TIRE CHAIN HANGERS

MII-390 Chain Hanger

- Standard 4 Bolt Mount
- Lockable Lid



MII-391 Clip-On Chain Hanger

- Occupies Smaller Area of Truck Frame
- Only One Drill Hole Required
- Lockable Lid



MII-392 Pull-Out Chain Hanger

- Easy to Use Pull-Out Design
- Convenient Handle for Slip Free Use
- Lockable Checker Plate Lid
- Clip on Version Available (M11-393)



MII-394 Pull-Out Chain Hanger

- Under Body Design (No Lid to Lift)
- Easy to Use Pull-Out Design
- Convenient Handle for Slip Free Use
- Lockable Design



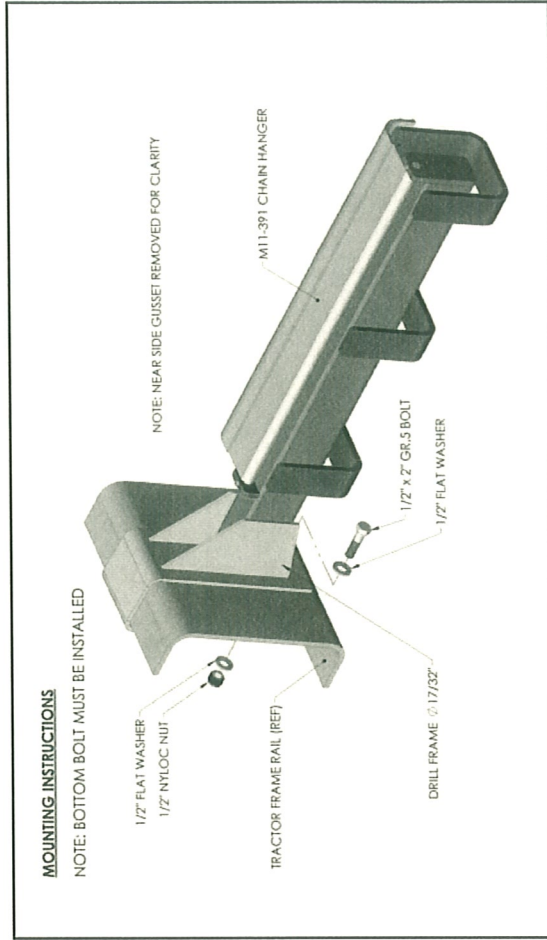
(Installation Drawings On Reverse Side)

CALL FOR THE DEALER NEAREST YOU!

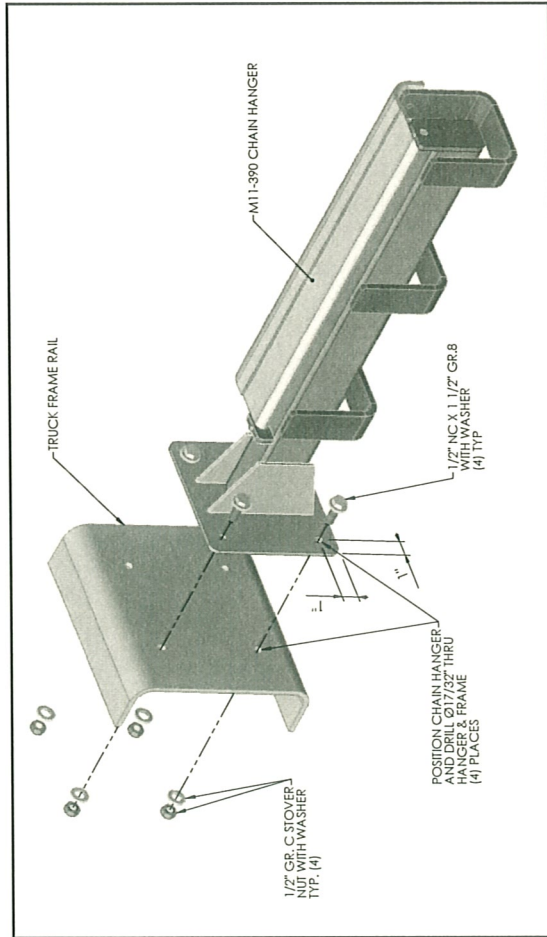
1-800-661-3406

WWW.MAGNUMTRAILER.COM

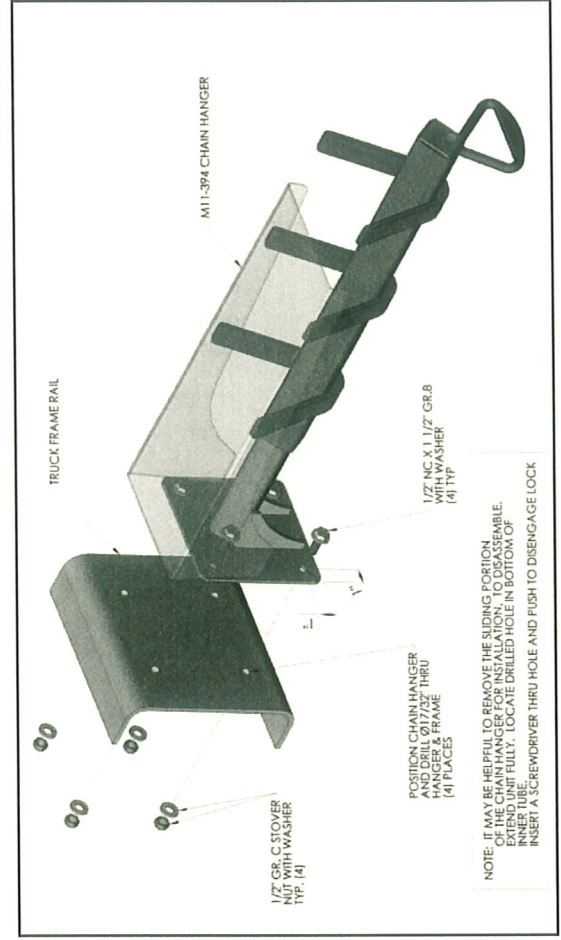
MII-391 Clip-On Chain Hanger



MII-390 Chain Hanger



MII-394 Pull-Out Chain Hanger



MII-392 Pull-Out Chain Hanger

